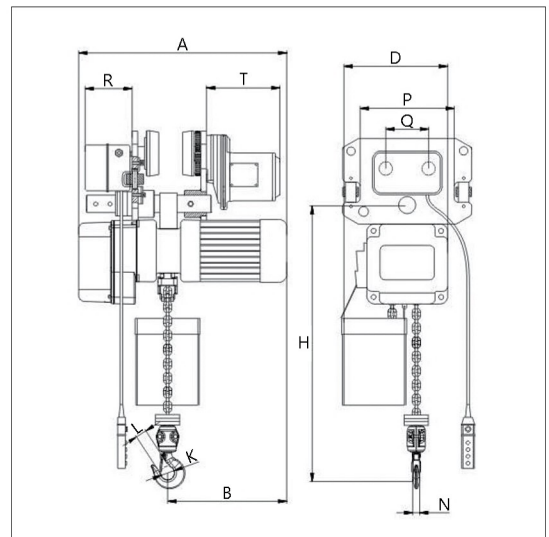




01 - 01



Hoist with the Electric trolley

● Technical parameters

Type	Capacity (Ton)	Lifting height (m)	LIFTING MOTOR			OPERATING MOTOR			I-Beam (mm)
			Power(kw)	Lifting speed (m/min)	Voltage	Power(kw)	Operating speed (m/min)	Voltage	
CH-1-1	1	4(6)	1.5	6.8	380V/50Hz	0.4	10(20)	380V/50Hz	80 - 160

● Size specification

Type	Capacity (Ton)	Unit(mm)											
		H	A	B	D	K	L	N	R	T	P	Q	Chain
CH-1-1	1	400	595	320	300	Ø40	31	24	142	231	206	111	Ø7.1